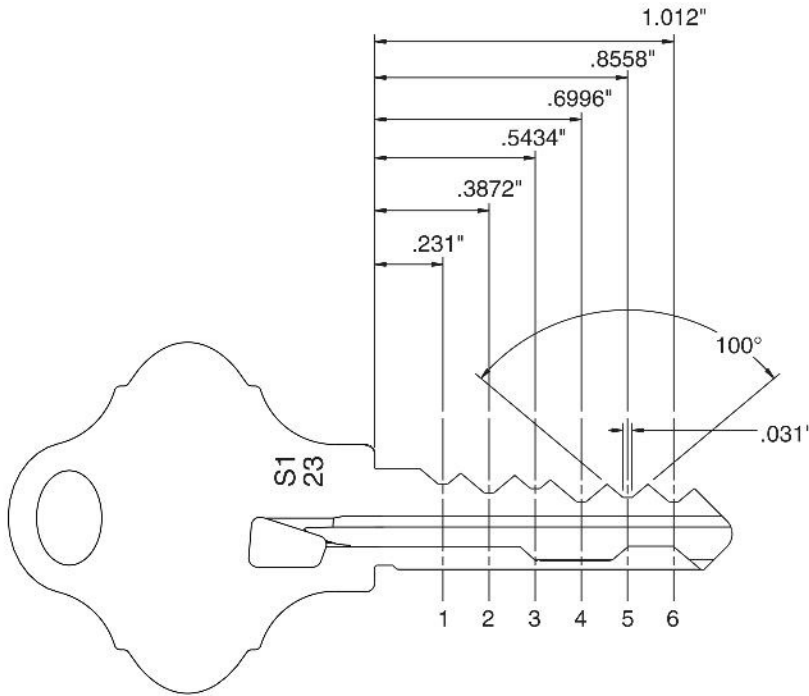


# Schlage

## Key Bitting Specifications

The following specifications are the same for Schlage Classic™ keys, including Primus®



MACS = 7

Increment: 0.15"

Progression: Two Step

Blade Width: .343"

Depth Tolerance: +.002" - 0



Spacing Tolerance: ± .001"

### Root Depths

0	.335"
1	.320"
2	.305"
3	.290"
4	.275"
5	.260"
6	.245"
7	.230"
8	.215"
9	.200"

Cuts are read and written bow to tip. The patented Primus side bitting process is done at the Schlage factory. Key blanks have side bitting already milled.

## Pins and Springs

Bottom Pins			Master Pins			Top Pins																	
Size	Length	Part No.	Size	Length	Part No.	Size	Length	Part No.	Application														
0	.165"	34-300	2	.030"	34-202	1	.235"	34-101	Plug total = 0, 1, 2, 3														
1	.180"	34-301	3	.045"	34-203	2	.200"	34-102	Plug total = 4, 5, 6														
2	.195"	34-302	4	.060"	34-204	3	.165"	34-103	Plug total = 7, 8, 9														
3	.210"	34-303	5	.075"	34-205	 <b>Other Pins and Springs</b> <table border="1"> <thead> <tr> <th>Description</th> <th>Part No.</th> </tr> </thead> <tbody> <tr><td>Tumbler Spring</td><td>C503-113</td></tr> <tr><td>Finger Pin Spring</td><td>C603-951</td></tr> <tr><td>Sidebar</td><td>C603-950</td></tr> <tr><td>Sidebar Spring</td><td>C603-952</td></tr> <tr><td>Cap Pin</td><td>C503-116</td></tr> <tr><td>Cap Pin Spring</td><td>C503-115</td></tr> </tbody> </table>				Description	Part No.	Tumbler Spring	C503-113	Finger Pin Spring	C603-951	Sidebar	C603-950	Sidebar Spring	C603-952	Cap Pin	C503-116	Cap Pin Spring	C503-115
Description	Part No.																						
Tumbler Spring	C503-113																						
Finger Pin Spring	C603-951																						
Sidebar	C603-950																						
Sidebar Spring	C603-952																						
Cap Pin	C503-116																						
Cap Pin Spring	C503-115																						
4	.225"	34-304	6	.090"	34-206																		
5	.240"	34-305	7	.105"	34-207																		
6	.255"	34-306	8	.120"	34-208																		
7	.270"	34-307	9	.135"	34-209																		
8	.285"	34-308	 <b>Finger Pins</b> <table border="1"> <thead> <tr> <th>Size</th> <th>Part No.</th> </tr> </thead> <tbody> <tr><td>1</td><td>34-001</td></tr> <tr><td>2</td><td>34-002</td></tr> <tr><td>3</td><td>34-003</td></tr> <tr><td>4</td><td>34-004</td></tr> <tr><td>5</td><td>34-005</td></tr> <tr><td>6</td><td>34-006</td></tr> <tr><td>7</td><td>34-058</td></tr> </tbody> </table>			Size	Part No.	1	34-001	2	34-002	3	34-003	4	34-004	5	34-005	6	34-006	7	34-058		
Size	Part No.																						
1	34-001																						
2	34-002																						
3	34-003																						
4	34-004																						
5	34-005																						
6	34-006																						
7	34-058																						
9	.300"	34-309																					

**Reading Keys** All keys will have exactly six Standard cuts and five Side Bit cuts, which should be read from the bow of the key to the tip.