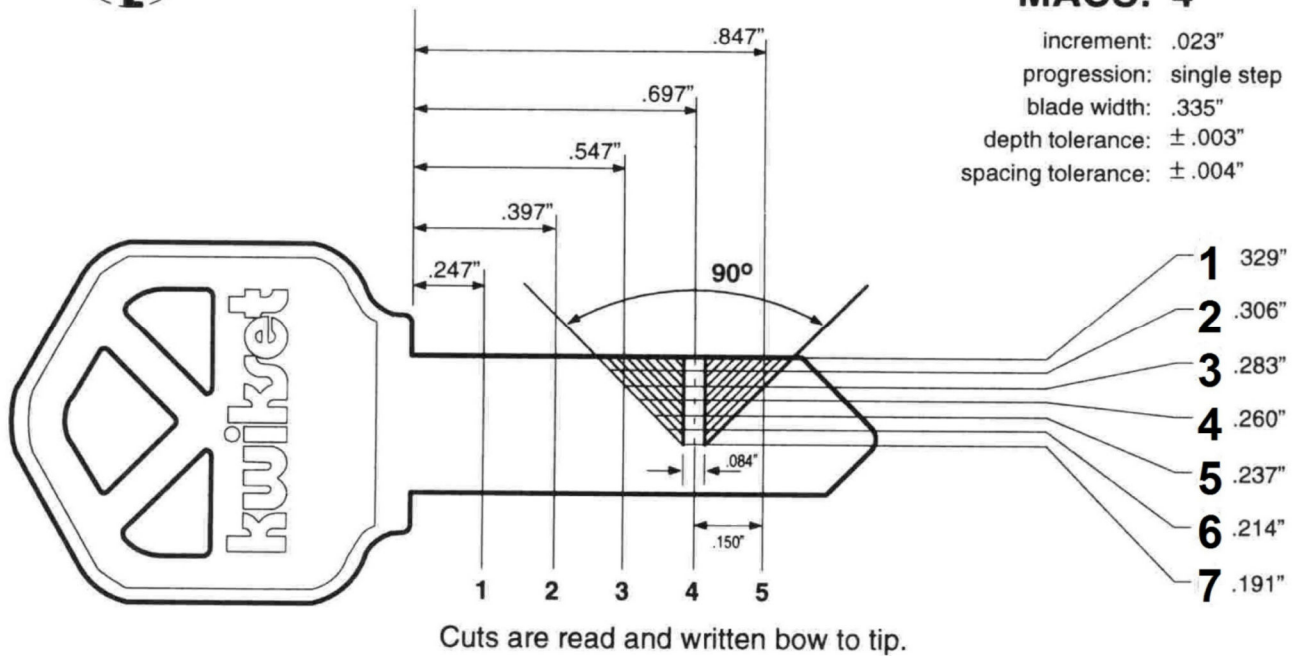


# Kwikset Key Specifications



## Bottom Pins

Size/Length	Part No.
1 .172"	
2 .195"	
3 .218"	
4 .241"	
5 .264"	
6 .287"	

## Master Pins

Size/Length	Part No.
1 .023"	
2 .046"	
3 .069"	
4 .092"	
5 .115"	
6 .138"	

## Top Pins

Length	Part No.
Reg. .180"	
Const. .160"	

## Other Cylinder Parts and Service Equipment

Description	Part No.	Description	Part No.
Spring		Follower	
Spring Cover		Key Gauge	
Construction Balls		Cylinder Removal Tool	
Plug Retainer			

This key class was used in Corbin and Russwin residential locks between 1966 and 1992. Kwikset had an older depth system that used a .031" increment. That system was never used by Corbin Russwin, but in the interest of completeness, the depths are included here: 1 = .328", 3 = .297", 5 = .266", 7 = .235".