

Pyramid

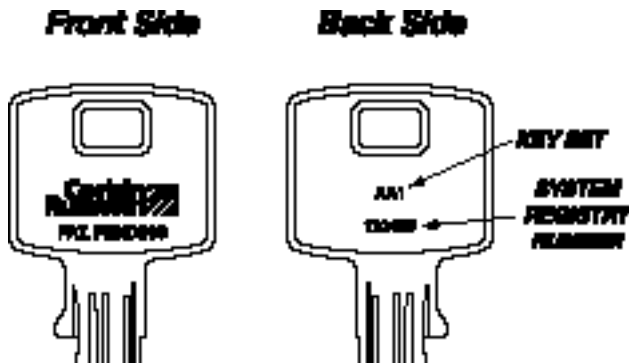
Owner's Manual



Keys	2
Key Bitting Specs & Pin Lengths	3
Combining Cylinders	4
Combining Worksheet and Servicing Cylinders	5
Mortise Cylinders	6
Rim Cylinders	7
Key-in-Knob / Lever Cylinders	8
IC Cylinders	9
Parts Breakdown	10
Pin Kit	11

Keys

- Nickel Silver
- Key Bow Type 28
 - ◆ Ordering example: XX-7PIN-28
 └─Keyway



Back Side Stamping & Options

- Key set (VKC1), standard - unless otherwise indicated.
- System registry number (top master and control keys only).
- DO NOT DUPLICATE stamping is available if required.
- Concealed key control (CKC2 and CKC3) available on cylinders.

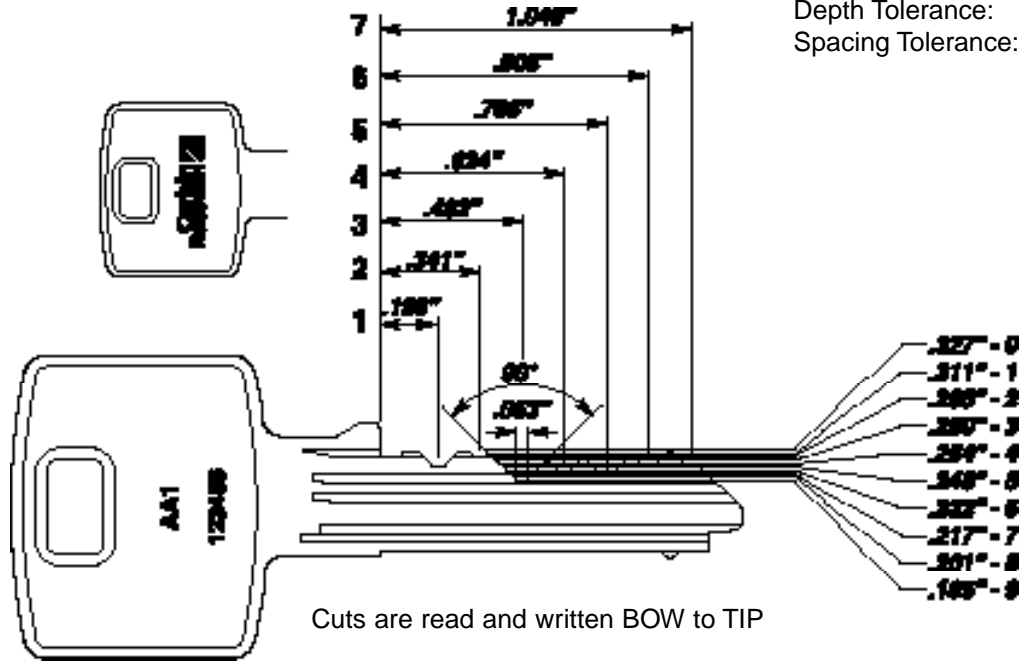
Note: Refer to Corbin Russwin's general catalog and price book for complete detailed information.

Applies to all Pyramid keyways

PRE-SYSTEM 70

MACS: 7

Increment: 0.016"
 Progression: Two step
 Blade width: 0.334"
 Depth Tolerance: ± 0.0015"
 Spacing Tolerance: ± 0.0015"



Plug Diameter: 0.496" Pin Diameter: 0.112"

PIN LENGTHS

BOTTOM	BUILD-UP	IC TOP	MASTER
0 .140"	-9 NA	0 .189"	2 .031"
1 .156"	-8 .031"	1 .173"	3 .047"
2 .171"	-7 .047"	2 .157"	4 .063"
3 .187"	-6 .063"	3 .142"	5 .079"
4 .203"	-5 .079"	4 .126"	6 .094"
5 .219"	-4 .094"	5 .110"	7 .110"
6 .234"	-3 .110"	6 .094"	8 .126"
7 .250"	-2 .126"	7 .079"	9 .142"
8 .266"	-1 .142"	8 .063"	
9 .281"	0 .157"	9 .047"	
	+1 .173"		
	+2 .189"		
	+3 .205"		
	+4 .220"		
	+5 .236"		
	+6 .252"		
	+7 .268"		
	+8 .283"		
	+9 .299"		

TOP PINS

CONVENTIONAL (FIXED CORE)	LENGTH	IC-NON CONTROL CHAMBERS
Use with Plug Totals		Use with Plug Totals
5-6-7-8-9	← A .142"	
	B .205" →	5-6-7-8-9
0-1-2-3-4	← C .236" →	0-1-2-3-4

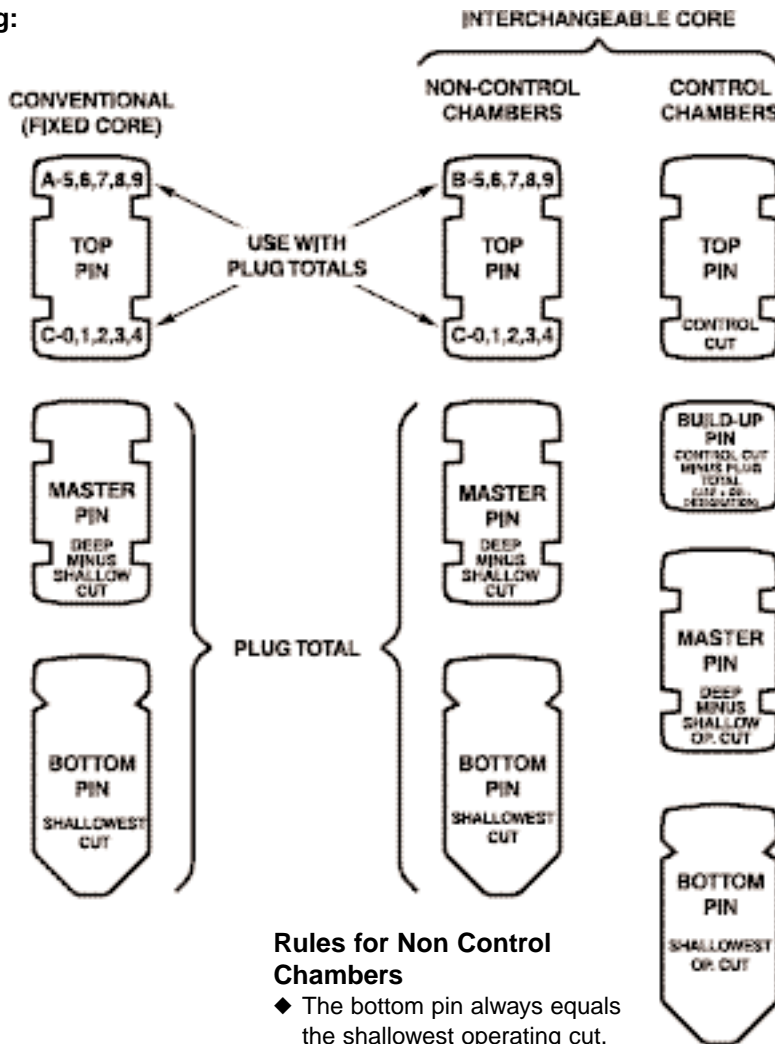
Refer to Corbin Russwin's Cylinder Manual (Cyl. Man 9506) for complete step-by-step instructions to service and combine Mortise, Rim, KIK/KIL and IC type cylinders.

Pyramid has seven pin chambers, each of which must be combined as per the cylinder type and biting specification.

Rules for Combining:

Rules for Conventional (Fixed Core) Chambers

- ◆ The bottom pin always equals the shallowest operating cut.
- ◆ The master pin equals the difference between the deep and shallow operating cuts.
- ◆ The top pin is determined by the plug total.



Rules for Control Chambers

- ◆ The bottom pin always equals the shallowest operating cut.
- ◆ The master pin equals the difference between the deep and shallow operating cuts.
- ◆ The build-up pin is determined by subtracting the plug total from the control cut.
- ◆ The top pin equals the control cut.

Rules for Non Control Chambers

- ◆ The bottom pin always equals the shallowest operating cut.
- ◆ The master pin equals the difference between the deep and shallow operating cuts.
- ◆ The top pin is determined by the plug total.

Example for a Conventional (Fixed Core) Cylinder

CHAMBER #	→	1	2	3	4	5	6	7
CONTROL	NA							
CHM	NA							
CHM	A	3	0	1	5	4	2	3
MR	AA	5	0	1	5	4	2	3
CK	ACH	5	0	1	3	0	0	3
TOP PIN		A	A	C	A	G	C	G
MASTER PIN		2	0	X	2	4	2	X
BOTTOM PIN		3	0	1	3	0	0	3

Example for an Interchangeable Core Cylinder

CHAMBER #	→	1	2	3	4	5	6	7
CONTROL		3	1	0	5	4	2	3
CHM	NA							
CHM	A	3	0	1	5	4	2	3
MR	AA	5	2	1	5	4	2	3
CK	AA	5	2	1	1	0	0	3
TOP PIN		B	1	0	5	C	C	C
BUILDUP PIN		X	-6	+5	0	X	X	X
MASTER PIN		2	4	X	4	4	2	X
BOTTOM PIN		3	2	1	1	0	0	3

**CONVENTIONAL
(FIXED CORE)
CYLINDER**

CHAMBER # →	1	2	3	4	5	6	7
CONTROL							
OGM							
OM							
MK							
CK							
TOP PIN							
MASTER PIN							
BOTTOM PIN							

INTERCHANGEABLE CORE CYLINDER

CHAMBER # →	1	2	3	4	5	6	7
CONTROL							
OGM							
OM							
MK							
CK							
TOP PIN							
BUILDUP PIN							
MASTER PIN							
BOTTOM PIN							

Servicing Cylinders

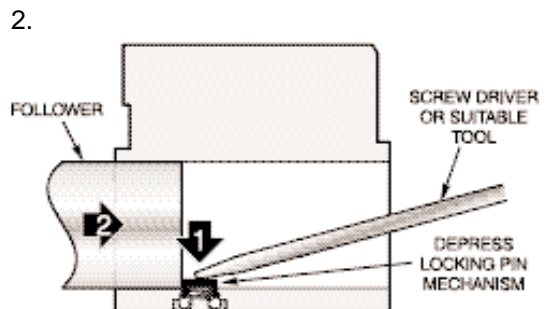
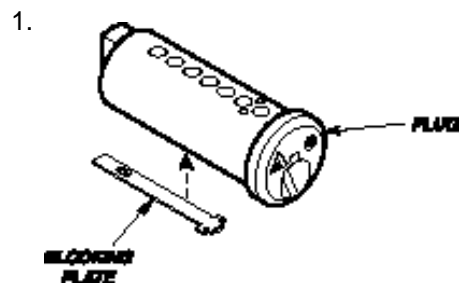
No special key cutting equipment or service tools are required for cutting Pyramid keys or assembling Pyramid cylinders.

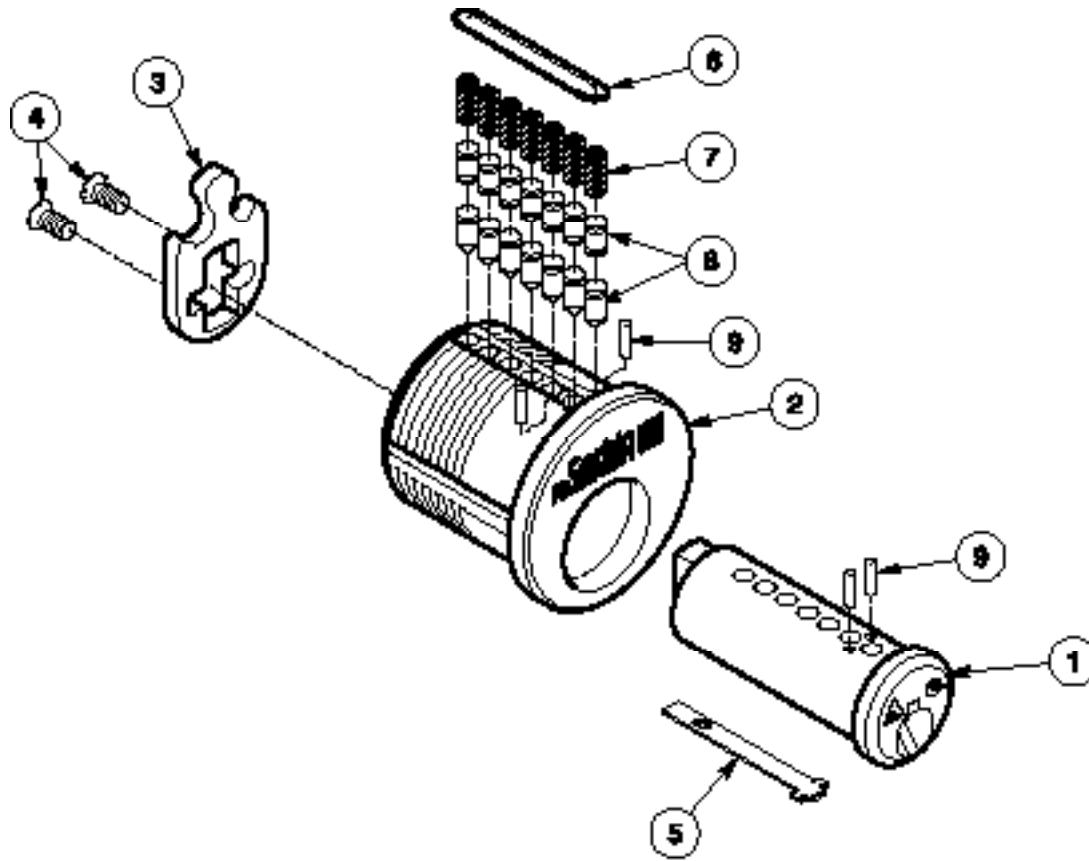
Note the following when servicing:

1. Before the plug is inserted into the shell, the blocking plate must be in position on the under side of the plug.
2. When reinserting the plug into the shell, care must be taken to depress the locking pin mechanism in the shell before the follower is used.

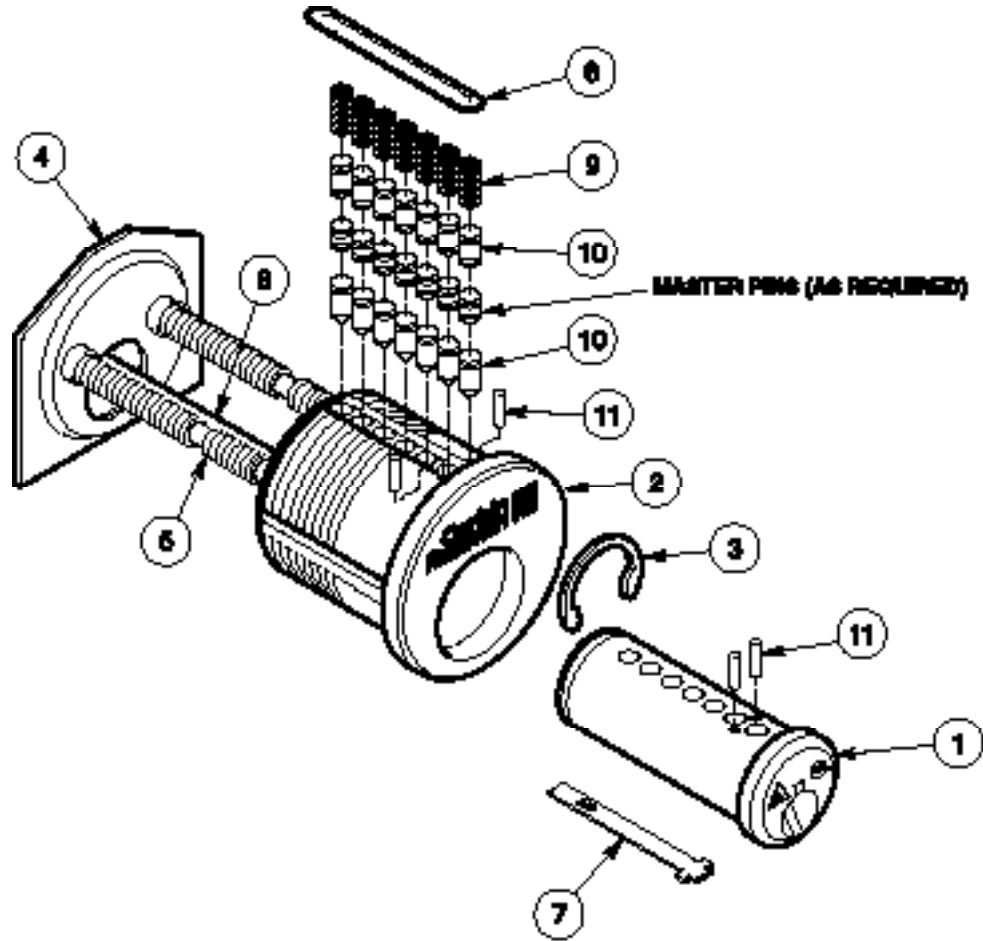
Pyramid cylinders are lubricated from the factory. Cylinders should be lubricated periodically depending upon environmental conditions. A dry powder graphite is recommended.

CAUTION: Do not lubricate Pyramid cylinders with any type of oil-based product.

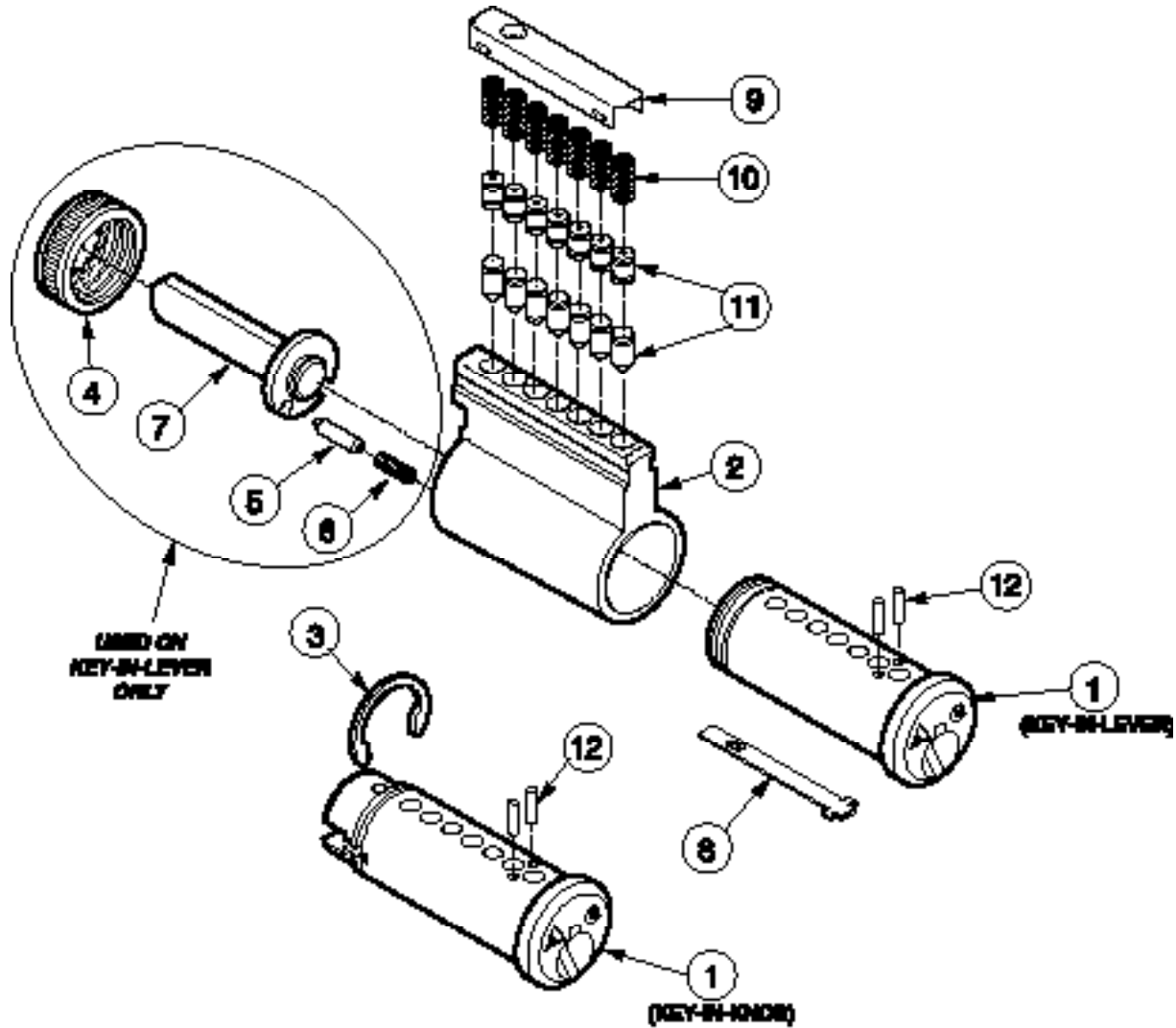




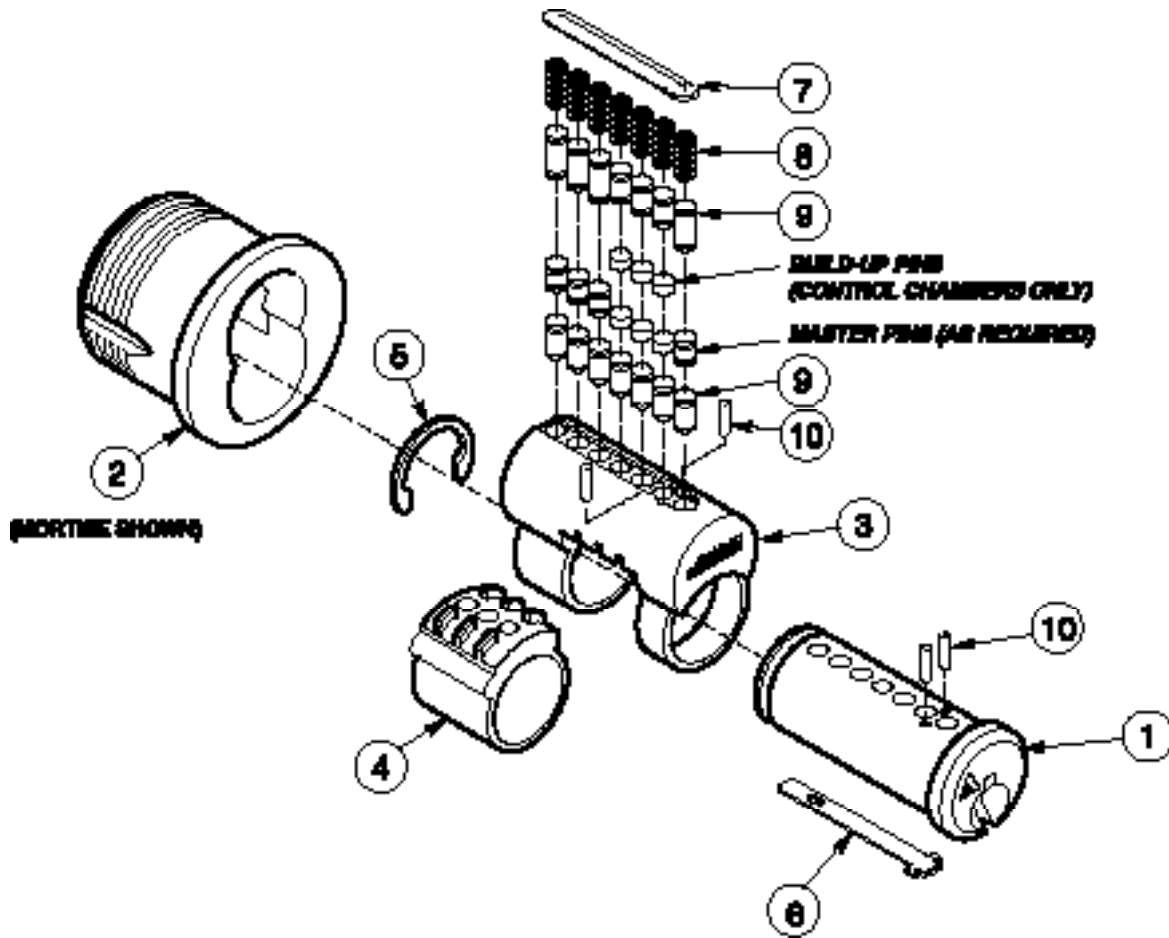
ITEM	DESCRIPTION	QTY.	PART NUMBER	REMARKS
1	Plug	1	696K43	Finish & keyway required
2	Shell	1	695F04	Finish required
3	Cam	1	480F05	A01 standard Refer to page 10 for options
4	Cam screw	2	438F41	
5	Blocking plate	1	696F42	
6	Spring cover	1	217F43	
7	Springs	7	697F50	
8	Top & bottom pins	*	*	Refer to page 11 for options
9	Hard metal inserts	4		Not sold separately



ITEM	DESCRIPTION	QTY.	PART NUMBER	REMARKS
1	Plug	1	696K45	Finish & keyway required
2	Shell - standard	1	695F04	Finish required
	Shell - slotted	1	695F05	Exit trim - finish required
3	Plug retainer	1	333F99	
4	Back plate	1	253F75	
5	Attaching screws	2	021F68	1-7/8 standard Refer to page 10 for options
6	Tailpiece	1	253F76	1-7/8 standard Refer to page 10 for options
7	Blocking plate	1	696F42	
8	Spring cover	1	217F43	
9	Springs	7	697F50	
10	Top & bottom pins	*	*	Refer to page 11 for options
11	Hard metal inserts	4		Not sold separately



ITEM	DESCRIPTION	QTY.	KEY-IN-KNOB PART NO.	KEY-IN-LEVER PART NO.	REMARKS
1	Plug	1	696K48	696K46	Finish & keyway required
2	Shell	1	696F49	696F47	Finish required
3	Plug retainer	1	333F99		
4	Cap, cylinder	1		680F64	
5	Cap, pin			585F31	
6	Cap spring, pin			585F32	
7	Tailpiece	1	*	*	Refer to page 10 for options
8	Blocking plate	1	696F42	696F42	
9	Spring cover	1	585F39	585F39	
10	Springs	7	697F50	697F50	
11	Top & bottom pins	*	*	*	Refer to page 11 for options
12	Hard metal inserts	2			Not sold separately



ITEM	DESCRIPTION	QTY.	PART NO.	REMARKS
1	Plug	1	696K52	Finish & keyway required
2	Housing	1		Mortise housing 1070 shown
3	Shell	1	696F50	Finish required
4	Control sleeve	1	696F51	
5	Plug retainer	1	333F99	
6	Blocking plate	1	696F42	
7	IC spring cover	1	217F44	
8	Springs	7	697F50	
9	Top & bottom pins	*	*	Refer to page 11 for options
10	Hard metal inserts	4		Not sold separately

CYLINDER PARTS			
PART NO.	DESCRIPTION	USED WITH	TAILPIECE
696F42	Blocking plate		
697F50	Tumbler spring		
217F43	Spring cover	Mortise & Rim	
217F44	IC spring cover	8020	
585F39	Spring cover	2020 - KIK/KIL	
333F99	Retainer	2020 KIK	
680F64	Cap, cylinder	2020 KIL	
585F31	Cap, pin	2020 KIL	
585F32	Cap spring, pin	2020 KIL	
696F51	Control sleeve	8020	
438F41	Cam screw	1020	
253F75	Back plate	3020	
021F68	Attaching screw	Rim cylinder	138-178-178V-200-200V
021F71	Attaching screw	Rim cylinder	312-312V-318
655F02	Attaching screw	Rim cylinder	058

SHELLS		
PART NO.	DESCRIPTION	USED WITH
695F04*	Mortise	1020
695F04*	Rim - Standard	3020
695F05*	Rim - Slotted	3020
696F47*	KIL	2020
696F49*	KIK	2020
696F50*	IC	8020

TAILPIECES - Rim Cylinders	
LENGTH	PART NO.
058	655F00
058 I/C	655F01
114 I/C	582F29
138	490F55
178 I/C	253F85
178V I/C	483F09
200	253F76
200V	413F48
312	253F77
312V	413F49
318 I/C	284F13

PLUGS			
PART NO.	DESCRIPTION	USED WITH	REMARKS
696K43*	Mortise	1020	Specify keyway
696K45*	Rim	3020	Specify keyway
696K46*	KIL	2020	Specify keyway
696K48*	KIK	2020	Specify keyway
696K52*	IC	8020	Specify keyway

CAMs - Mortise Cylinders		
Number	Used with	
	Conventional (Fixed Core)	IC
A01	480F05	334F14
A02	147F77	334F13
A03	111F55	362F42
A04	413F22	423F49
A05	105F70	362F50
A92	266F34	N/A
A93	281F27	362F43

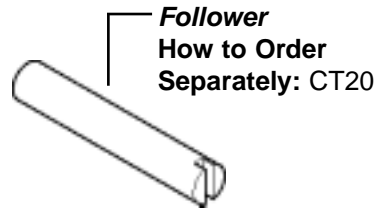
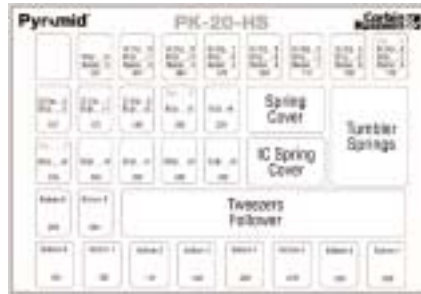
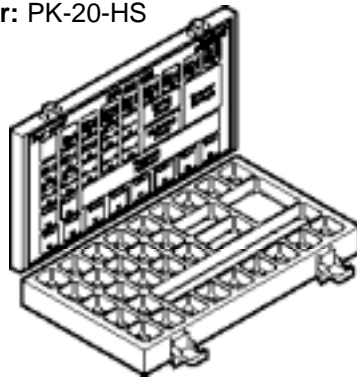
PINS (SPECIFY SIZE)		
QTY.	PART NO.	DESCRIPTION
Vial of 100	695F25(Length)**	Top Pins
Vial of 100	695F24(Length)**	Bottom Pins

**Refer to page 11 for options

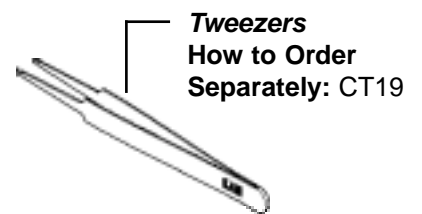
*Finish Required

Pin Kit - Includes Follower and Tweezers

How to Order: PK-20-HS



Follower
How to Order Separately: CT20



Tweezers
How to Order Separately: CT19

Pin Kit Contents



OR



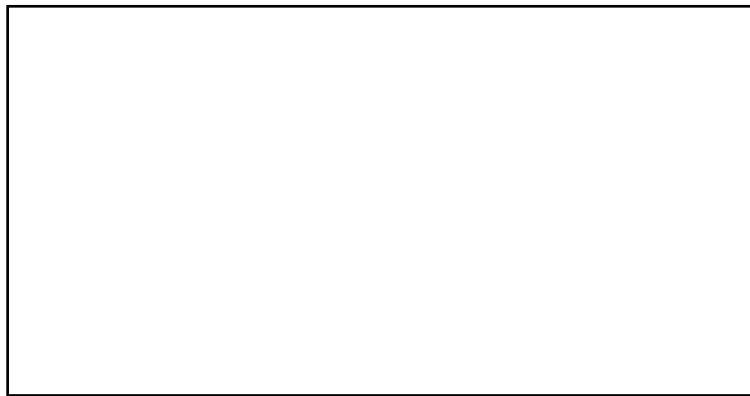
Pin Vials

	PK-20-HS						Pin Vials		
	LENGTH	BOTTOM	MASTER	BUILD-UP	TOP	IC - TOP	PK-20-HS QTY	PART NO.	QTY.
Pins	.031"		2	-8			100	695F257031	100
	.047"		3	-7		9	100	695F257047	100
	.063"		4	-6		8	100	695F257063	100
	.079"		5	-5		7	100	695F257078	100
	.094"		6	-4		6	100	695F257094	100
	.110"		7	-3		5	100	695F257110	100
	.126"		8	-2		4	100	695F257126	100
	.140"	0					100	695F247139	100
	.142"		9	-1	A	3	100	695F257141	100
	.156"	1					100	695F247155	100
	.157"			0		2	100	695F257157	100
	.171"	2					100	695F247171	100
	.173"			+1		1	100	695F257173	100
	.187"	3					100	695F247187	100
	.189"			+2		0	100	695F257189	100
	.203"	4					100	695F247202	100
	.205"			+3	B		100	695F257204	100
	.219"	5					100	695F247218	100
	.220"			+4			100	695F257220	100
	.234"	6					100	695F247234	100
.236"			+5	C		100	695F257236	100	
.250"	7					100	695F247250	100	
.252"			+6			100	695F257252	100	
.266"	8					100	695F247265	100	
.268"			+7			100	695F257267	100	
.281"	9					100	695F247281	100	
.283"			+8			100	695F257283	100	
.299"			+9			100	695F257299	100	

Description	Part Number	PK-20-HS Qty.
Tumbler Springs	697F50	100
Spring cover	217F43	20
IC spring cover	217F44	20
Follower .496	CT20	1
Tweezers	CT19	1
Blocking Plate	696F42	20

Pyramid™

For more information regarding Corbin Russwin Locksets, Exit Devices, Door Controls and Key Systems, contact your authorized Corbin Russwin Distributor or Sales Representative.



In U.S.:

Corbin Russwin Inc.
1902 Airport Road
Monroe, NC 28110

Phone 800-438-1951 Fax 800-338-0965

www.yalesecurity.com

In Canada:

Corbin Russwin Canada
6940 Edwards Blvd.

Mississauga, ONT L5T 2W2

Phone 800-461-3007 / 905-564-5854

Fax 800-461-8989 / 905-564-8182

www.yalecorbin.on.ca

Corbin Russwin and Square Design® is a registered trademark of Corbin Russwin, Inc. Pyramid™ is a trademark of Corbin Russwin, Inc. Copyright© 2000 Corbin Russwin, Inc. All rights reserved. These materials are protected under US copyright laws. All contents current at time of publication. Corbin Russwin, Inc. reserves the right to change availability of any item in this catalog, its design, construction, and/or materials.