

VON DUPRIN® XP98/99™ Rim Exit Device

Strike Application Information

STRIKE APPLICATION/MINIMUM STILE USING STANDARD TRIM

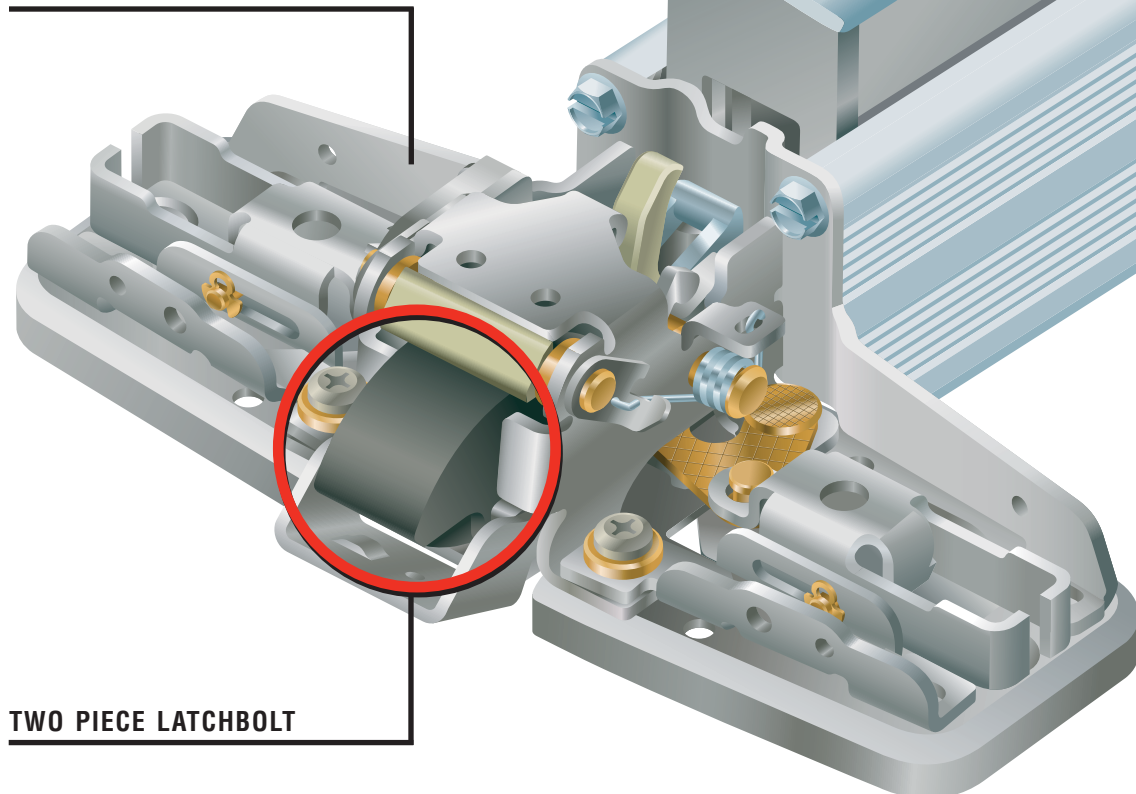
Device Type	Standard Single Door		Double Door	
	Strike	Stile	Strike w/Mullion*	Stile
XP98/99	909	4 1/2" (114mm)	909	4 3/4" (120mm)
XP98/99-F	909	4 1/2" (114mm)	954	4 7/8" (124mm)

* Mullion information — refer to General and Auxiliary information.

New Patented Design Delivers
Superior Security and Safety Performance.

EXIT PROTECTOR

UNIQUE CENTER CASE DESIGN



TWO PIECE LATCHBOLT

VON DUPRIN®

Administration Offices
2720 Tobey Dr.
Indianapolis, IN 46219
317-613-8944
317-613-8302 Fax

Customer Service
800-999-0408
800-999-0328 Fax

Canada / Latin America

Ingersoll Rand Security Technologies
1076 Lakeshore Road East
Mississauga, Ontario,
L5E 1E4, Canada
(905) 403-1800
(905) 278-1413 FAX
(877) 590-4734

North-East Asia

Ingersoll Rand Security Technologies
23/F, 625 King's Road
Northpoint, Hong Kong
+(852) 2235-0600
+(852) 2565-1409 FAX

South-East Asia / Australia / NZ

Ingersoll Rand Architectural Hardware Ltd.
P.O. Box 19-347
437 Rosebank Road,
Avondale, Auckland, New Zealand
+64 (0) 9-829-0550
+64 (0) 9-829-0552 FAX
www.irarchitecturalhardware.co.nz

Mexico

Ingersoll Rand Security Technologies
Blvd. Centro Industrial No. 11
Puentes de Vigag, Tlalnepantla
Estado de Mexico, 54070 Mexico
+525-5-8503-6604
+525-5-5390-4030 FAX

Europe / Middle-East / Africa

Ingersoll Rand Security Technologies Ltd.
Bescot Crescent
Walsall, West Midlands WS1 4DL
United Kingdom
+44 (0)1922 707400
+44 (0)1922 646303 FAX
www.irsecurityandsafety.co.uk



Ingersoll Rand's Security Technologies Sector is a leading global provider of products and services that make environments safe, secure and productive. The sector's market-leading products include electronic and biometric access-control systems; time-and-attendance and personnel scheduling systems; mechanical locks; portable security; door closers, exit devices, architectural hardware, and steel doors and frames; and other technologies and services for global security markets.

www.schlage.com www.ingersollrand.com

VON DUPRIN®

XP 98/99

Rim Exit Device



VON DUPRIN® XP98/99™ Rim Exit Device

Introduction

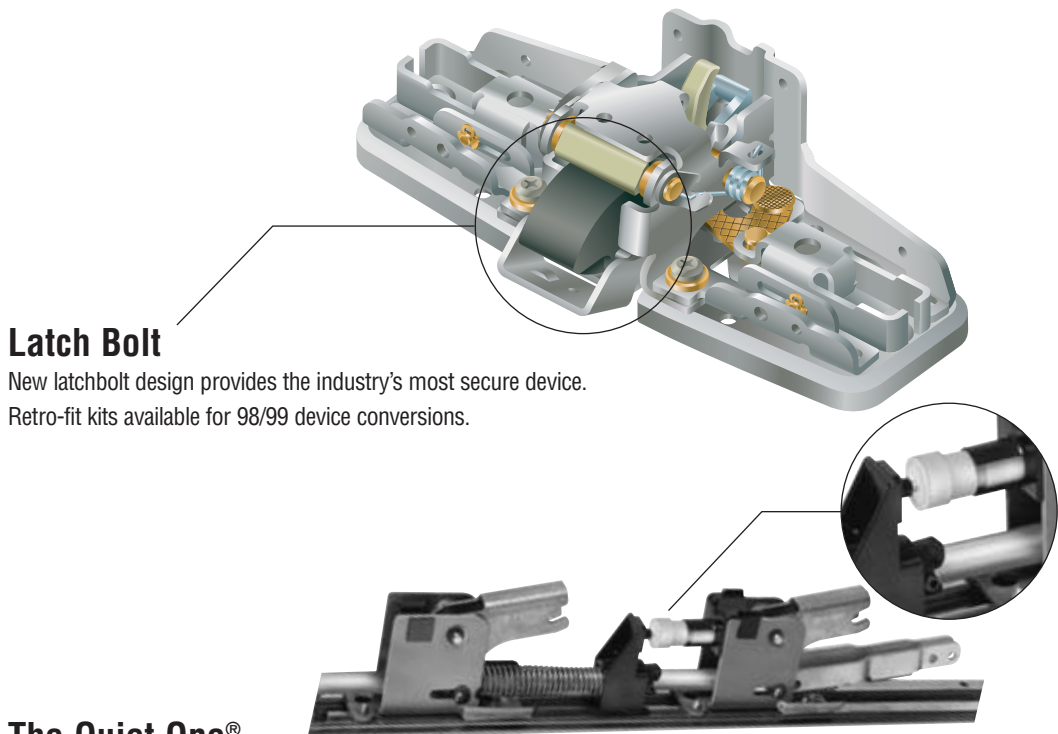
Balancing security and safety has always been a challenge with any panic exit device design. With the new XP98/99 Rim exit device, Von Duprin has engineered a device that reaches a new standard for security while enhancing the safety performance features. The new patented center case design takes the proven reliability of the 98/99 series and adds a new latch bolt concept that delivers the industry's highest level of latching security.

Additionally, upgrading for current 98/99 owners will be made easy and affordable. The new device will match the existing 98/99 device footprint, eliminating costly door prep changes. A new retrofit kit will allow conversion of existing 99 devices into the new XP99 function, making higher security an affordable function.

For over 100 years Von Duprin has set the standard for innovation and quality in the world of exit devices. The XP98/99 Rim device is another page in this long honored story of excellence.



Von Duprin push pad exit devices are available in two external surface styles, designated XP98 Series and XP99 Series. The two styles are mechanically and dimensionally identical and provide a wide selection of appearance options.



A fluid dampener decelerates the pushpad on its return stroke and eliminates most noise associated with exit device operations. Furnished on all XP98/99™ series exit devices.

VON DUPRIN® XP98/99™ Rim Exit Device



909 Strike



954 Strike
With 9854/9954
Mullion

XP98 and XP99 rim exit devices for all types of single and double doors with mullion, UL listed for accident hazard installations. Covers stock hollow metal doors with 86 or 161 cutouts.

XP98-F and XP99-F fire exit rim devices for all types of 4' x 10' (1219mm x 2438mm) single doors or 8' x 10' (2438mm x 2438mm) double doors with 9954 mullion, UL listed A, B, C, D, or E fire labeled installations.




Specifications





Device Functions	Device ships EO/DT/NL. Field selectable. For TP,K,or L remove NL drive screw from device
Device Lengths	3' 2'4" to 3' (711mm to 914 mm) Door Size 4' 2'10" to 4' (864 mm to 1219 mm) Door Size
Strikes	909 – Panic and Fire Single Door 954 — Mullion Fire
Dogging Feature	Hex key dogging standard
Dogging Options	CD Cylinder Dogging SD Special Center Case Dogging LD Less Dogging
Electric Options (Consult factory)	RX Pushpad Monitor Switch* RX2 Double Pushpad Monitor Switch* E Electric Locking & Unlocking ALK Alarm Exit Kit*
Miscellaneous Options	-2 Double Cylinder* GBK Glass Bead Kit
Fasteners & Sex Bolts (SNB)	Includes 1 3/4" (19mm) – 2 1/4" (57mm) Wood & Metal Doors Optional SNB available for device, see next page for quantities
Latch Bolt	Deadlocking, 3/4" (19mm) throw
Device Centerline from Finished Floor	39 13/16" (1011 mm) 39 11/16" (1008 mm) with Mullion
Center Case Dimensions	8" x 2 3/4" x 2 3/8" (203mm x 70mm x 60mm)
Mechanism Case Dimensions	2 1/4" x 2 1/4" (57mm x 57mm)
Projection	Pushbar Neutral – 3 13/16" (97 mm) Pushbar Depressed – 3 1/16" (78 mm)

See full-line product catalog for "How to Order" specification.

* Available Q3, 2006

VON DUPRIN® XP98/99™ Rim Exit Device Standard Trim

	Exit only	Dummy Trim Pull when Dogged	Night Latch Key Retracts Latchbolt	Night Latch Key Retracts Latchbolt Optional Pull Required
				
Product Description	XP98EO XP99EO	XP98DT XP99DT	XP98NL XP99NL	XP98NL-OP XP99NL-OP
Trim Description	—	990DT	990NL-R/V	110NL-MD 110NL-WD
Escutcheon Plate Size	—	3" x 14 ³ / ₁₆ " x ³ / ₃₂ " (76x360x2mm)	3" x 14 ³ / ₁₆ " x ³ / ₃₂ " (76x360x2mm)	—
Pull Center to Center	—	5 ¹ / ₂ " (140mm)	5 ¹ / ₂ " (140mm)	—
Projection	—	2" (51mm)	2" (51mm)	—
ANSI Function	01	02	03	03
Cylinder Type	—	—	Rim	Rim
Optional Trim (See pages 32 – 34)	x990EO x992EO x994EO x996EO	x991K-DT x992L-DT x994L-DT x996L-DT x696DT x697DT	x991K-NL x992L-NL x994L-NL x996L-NL x696NL x697NL	
Optional #425 Sex Bolt Quantity for Device	6	2	2	6

	Lever Key Locks & Unlocks	Lever – Night Latch Key Retracts Latchbolt	Lever – Blank Escutcheon Always operable (No Cylinder)	Lever Dummy Trim Pull when Dogged
				
Product Description	XP98L XP99L	XP98L-NL XP99L-NL	XP98L-BE XP99L-BE	XP98L-DT XP99L-DT
Trim Description	996L-R/V	996L-NL-R/V	996L-BE-R/V	996L-DT-R/V
Escutcheon Plate Size	2 ³ / ₄ " x 10 ³ / ₄ " x ²⁷ / ₃₂ " (70x273x21mm)	2 ³ / ₄ " x 10 ³ / ₄ " x ²⁷ / ₃₂ " (70x273x21mm)	2 ³ / ₄ " x 10 ³ / ₄ " x ²⁷ / ₃₂ " (70x273x21mm)	2 ³ / ₄ " x 10 ³ / ₄ " x ²⁷ / ₃₂ " (70x273x21mm)
Pull Center to Center	—	—	—	—
Projection	2 ⁷ / ₈ " (73mm)	2 ⁷ / ₈ " (73mm)	2 ⁷ / ₈ " (73mm)	2 ⁷ / ₈ " (73mm)
ANSI Function	08	09	—	02
Cylinder Type	Rim	Rim	—	—
Optional Trim (See pages 32 – 34)	x992L x994L	x992L-NL x994L-NL	x992L-BE x994L-BE	x992L-DT x994L-DT
Optional #425 Sex Bolt Quantity for Device	2	2	2	2