

# LSA REPORTER

## EDITORS:

**Alvin Moebus \* William M. Lynk, CRL \* Sal Dulcamaro, CML**

**Publication Deadline:** Submit items Two (2) Weeks (14 calendar days) prior to the LSA meeting date.

**NEW & Improved LSA Website:** <http://www.LsaMichigan.org>



## PRESIDENT'S MESSAGE—MAURICE HORNE, CML

It's that time again to get ready for our next meeting. The IDN Trade show was

great. I enjoyed the trade show as well as the classes. I want to thank those who volunteered to help monitor the LSA table. We did receive a few new members, but it could not have happened without the help of those who monitored the table. Thanks again. A special thanks goes out to IDN for giving LSA a booth at the trade show and for the items that it donated in the box that was auctioned at the show. The money that was received for the items in the box was donated to LSA by IDN. Thank you again. I would also like to thank Ron Weston for all that he did to help make this great event happen. At our April meeting our guest speaker will be John Bockert of Bockert and Associates. Our guest speakers give excellent presentations at the meetings, so come out and take advantage of all the resources that is available through LSA. At the April meeting we will have open nominations for our officers. Please look among the membership for dedicated men and women who are willing to take a leadership role in LSA. If LSA has been a help to you in growing in knowledge and improving your skills, then why not give back by taking a leadership role in LSA. Do not say what can LSA do for me, but say what can I do for LSA. The elections for our new officers will be held at our May meeting. Our bi-yearly auctions will take place at our June meeting, so start gathering your items that you want to get rid of so you can bring them to the meeting to sell. If anyone PRP status has changed, be sure to let Al Moebus know so he can change it on the membership list. Our membership has exceeded 100 and still growing. If you haven't renewed your membership, then now is the time. Well, I hope to see you at our meeting.

*Maurice Horne, CML*—President



## INDUSTRY NEWS & ASSOCIATION ISSUES

### Will Biometrics Replace Keys?

Unlikely...however, biometrics are such an important development because keys, keypads and access control credentials all suffer the same shortcoming—they are unable to authenticate the identity of the user. Read the complete article in the Locksmith Ledger [p. 26, April, 2006 issue] which discusses: Biometric Basics, Authentication vs. Identification, Biometric Issues, Biometric Applications, Tracking Time, Attendance & Materials, as well as other related ideas.





## EDUCATION & PRP NEWS—*ROBERT NOBLE, CML*

Should you be interested in the Professional Lock Picking Class scheduled for May 13, 2006, there is a strict cutoff at 24 students. Contact Bob Noble, CML to get your name on the list. Your check for the class fee will confirm your reservation. Due to the popularity of this class, you must prepay for the class to assure your attendance.

Special Presentations at the Meetings. Classes. Workshops. PRP sittings.....

.....all brought to you by the efforts of your **Officers, Board of Directors** and **Committees**. This meeting, please join with me and take a moment to say “Thank You”, to the members of LSA who have worked so hard the last two years to bring you a fine educational program.

This month I want to make mention of the strong, unwavering support of our suppliers and manufacturers. It is with the generous support of companies like LAB, IR Security, Bockert and Associates, IDN Hardware Sales, JLM Wholesale, and many more unnamed here, that help make LSA the place to come to for information and resources.

As you will notice on the LSA calendar, at the April meeting, the President will open nominations of officers for the next two year term. The only requirement for a officer is have your dues paid and be willing to serve. This is a two year commitment that will reward you in more ways then one. Become active, become involved, become a “**member**”, not just a member.

*-Robert Noble, CML—*Education Chairman

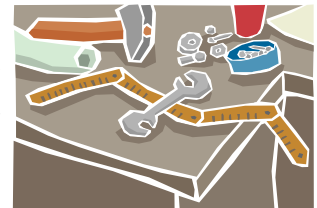
### NEXT LSA MEETING

THURSDAY, MAY  
11TH AT 7:30  
P.M.



### TECH TIPS—COMBINATING

After removing the screw cap, cap pin and spring for re-pinning, it is wise to place the pin and spring on the bench with the C-clip surrounding it. It will be less likely you will be looking for that specialty spring or pin on the floor.



**Locksmith Security Association** meets at 7:30 p.m., the second Thursday of the month (Sept. to June) in the Metro Detroit Area in southeast Michigan:  
UAW Hall (in Troy)  
1640 Stephenson Hwy., just north of Maple (15 Mile Rd.), on the east side of street.



### PRP GLOSSARY—KEEPING YOU “IN THE KNOW”

*plasma cutter* n. — tool that uses electricity and air pressure to cut various metals

*unassociated change key* n.— a change key which is not related directly to a particular master key through the use of certain constant cuts



## PUBLIC RELATIONS—*JOHN HUBEL, CML*

### VALUE ADDED.....

Now that **LSA** has exceeded the imaginary membership goal of one hundred, it opens the door for wonderful things that only an A+ rated locksmith association can offer.

The best-of-the-best company representatives come to **LSA** in person to seek association membership input regarding their products. These top league personalities know that our concentrated group of locksmith users have valuable and useful information that can lead to positive changes in their product line.

**LSA** has been over one hundred members in the past but dynamics have changed in recent years causing all associations, locksmith and otherwise, to become an association that offers more than what can now be found on the internet. Locksmiths do not have the extra time in their day to come to any meetings, let alone locksmith meetings.

Fortunately, **LSA** members look at it differently. **LSA** members look at meeting night as an opportunity to grow their business. The camaraderie of fellow locksmiths, advance product introductions and problem solving, distributor discount opportunities, and a multitude of technical tips given at the meetings lend to a shortened task completion time, yielding additional billable hours within a fixed workday structure. Prices for **LSA** classes are often much less for **LSA** members and affords our members with the advantage over their non-**LSA** competitors. It is a win-win situation.

Should a locksmith having not yet joined **LSA** read this, let this be an invitation for a visit and membership consideration. An application for **LSA** membership is quickly downloaded from the **LSA** website [www.LsaMichigan.org](http://www.LsaMichigan.org). We would love to have you join us.

### JLM 20th Anniversary Open House Celebration

Wednesday, June 7th, 2006

3:00 pm to 7:00 pm

Meet their sales, administrative and warehouse personnel face-to-face. Talk with Manufacturer Representatives about your favorite products.

Take a tour of the facility. Their warehouse inventory may surprise you. Get a company pass code and learn how to use their website. Try your luck and you could win a door prize. Enjoy an open bar and delicious barbeque style dinner buffet. RSVP vis fax 800-782-1160 or e-mail [jguest@jlmwholesale.com](mailto:jguest@jlmwholesale.com).

**Reserve the dates July 8th through July 16** for the ALOA Educational Classes and Trade Show. Start your planning for Room sharing, transportation, and signing up for classes. Class schedules will be coming out soon. This year's location: Las Vegas, Nevada.



## NEW WEBSITE!!

LSA now has a **new** website, purchased from a web host company, as well as individual e-mail boxes for all officers and committee members. Check out the website at:

**[www.LsaMichigan.org](http://www.LsaMichigan.org)**

There you will find a wealth of information, including an easy-to-navigate site, including:

Membership Application	Contact Phone Numbers & E-mail Addresses
Many Tech/Service Manuals	Over 300 Security Links
ALOA Information	Detailed Calendar into 2007!
Newsletter and Newsletter Archives	
Classes, Workshops & Seminars	

We're On the World Wide Web! **[www.LsaMichigan.org](http://www.LsaMichigan.org)**

**LSA MEMBER OF THE MONTH—JACOB SCOTT**



“I wanted to learn a skill that could not be taken away from me”, so stated Jacob Scott, a charter member of L.S.A. He learned the trade at the Locksmith Schools Of America in Detroit which was run by another charter member,

Larry Williams. Jacob is a past treasurer and secretary of L.S.A. and is presently the M.M.L.A. president. Jacob is a mobile locksmith who enjoys residential and commercial installations. He also likes doing safes and door-closures. His most gratifying and successful job was to rescue a baby in an overheated vehicle. Another time, he had to unlock a jail cell. A prisoner tried to escape by picking the lock with a plastic fork. The tines broke off and fell into the lock. As

a result, the police key would not work. (The lock used a barrel and bit key.)

Jacob and his wife have been married for 39 years. God’s blessings and congratulations to both of them! They are the proud parents of three daughters, all college graduates and are successful in their fields. Jacob would like to thank his lifelong mentor, Frank Hicks, for enhancing his locksmith techniques and abilities. He would also like to thank his friend, Elmer Carver, for bolstering his morale throughout his career.

-by Al Moebus



**“Qwik-Qwiz”**

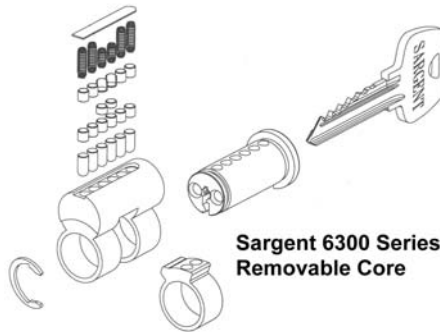
Pebradimple key cylinders may be found in the ignition of which of the following automobiles:

- A) Rolls Royce
- B) DeLorean
- C) Peugeot
- D) D) BMW

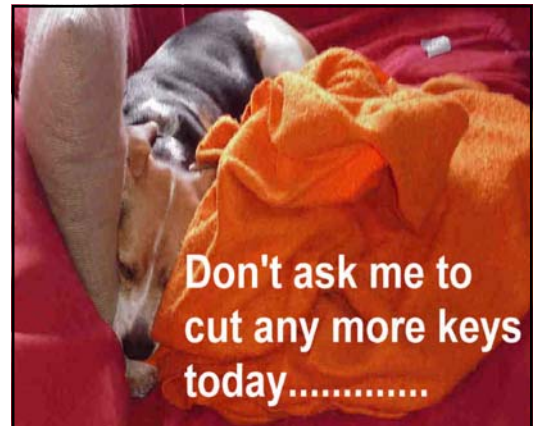
[answer on next page]

**IC CORNER—WILLIAM M. LYNK, CRL**

**Sargent 6300 Series—** Sargent refers to this interchangeable core as a “Removable Core.” It is the replacement for the 5100 Removable Core that used only the last chamber as the control. In the 6300, chambers three & four serve as control chambers.



Sargent 6300 Series Removable Core



**Caesar—LSA Mascot**

**CALENDAR OF LSA EVENTS—SEE WEBSITE FOR COMPREHENSIVE LIST**

**April 13** - LSA Meeting 7:30pm; John Bockert of Bockert and Associates; Open nomination of officers

**May 11** - LSA Meeting 7:30pm; Lynn Toussaint, Burcaw Company. Select Entry Systems; Election of Officers

**May 13** - ALOA A.C.E. Class B005 Professional Lock Picking; Instructor: Harry Sher, CML, CPS; Class 8:00am – 5:00pm; This class will be helpful in preparing for the PRP section L-00

**June 8** - Details to follow :LSA Meeting 7:30pm; Installation of New Officers at End of Meeting; Auction – 7:00 PM Flea Market Auction starts at 7:30

**July/August** - No LSA Meeting. See you in September.

**WEB LINKS**

**ALOA**  
www.aloa.org

**The Lockwriter**  
http://home.earthlink.net/~lockwriter

**ClearStar Security Network**  
www.clearstar.com

**LAB**  
www.labpins.com

**LSA**  
www.LsaMichigan.org



**LOCKSMITH SECURITY ASSOCIATION  
OF MICHIGAN**

533 Fisher Road  
Grosse Pointe, MI 48230

Phone: (313) 885-9365

Email:

[amoebus@LsaMichigan.org](mailto:amoebus@LsaMichigan.org)

Bookmark the **NEW LSA Website.**  
**[www.LsaMichigan.org](http://www.LsaMichigan.org)**

**CLASSIFIED ADS—SEE LSA WEBSITE FOR UPDATES**

Used Framon code machine, including Tibbe key, flat key, space and depth blocks; Reed Codes on microfiche including pocket reader; used Scottsman tubular key machine; many ASP and other OEM and some aftermarket automotive face caps and automotive service kits, ignitions; Wide assortment of key blanks with their respective organized cabinet drawers; reference library-including service manuals.— 313.645.6275

**\$\$\$ PLACE YOUR AD HERE FOR FREE \$\$\$**

Qwik-Qwiz:

Answers D.

**Associate Members of LSA**

**Bockert & Associates**  
18 Fort Monroe Industrial Parkway  
Monroeville, OH 44847

**(800) 321-7550**  
FAX: (419) 465-4216

**Manufacturer Reps for:**  
ABUS, ARROW, ASSA, DON JO,  
H.E.S., HPC, LOCKCRAFT,  
CANSEC, SECURITRON, CBC,  
MERIT, TAKEX, MEDECO

**IDN-Hardware Sales, Inc.**  
35950 Industrial Road  
P.O. Box 510624  
Livonia, MI 48150

**Livonia: (800) 521-0955**  
FAX: (800) 272-4409  
<http://www.idnhardware.com>

**Warren: (800) 468-7490**  
FAX: (586) 755-5145  
*Your Key to Security Hardware*

***ICLS***  
*Interchangeable Core  
Lock Systems*

---

**William M. Lynk, CRL**  
IC Specialist/IC Author  
ALOA, ASIS, LA LSA, ClearSer  
Certified ALOA A.C.E. Instructor

♦ IC Products ♦ IC Tools  
♦ Dist. For Xpernetix/Ultra Security

Phone: (313) 884-9800  
E-mail: [icls@earthlink.net](mailto:icls@earthlink.net)  
Web: <http://home.earthlink.net/~icls>

**LAB**

THE CHOICE OF  
\*Professional Locksmiths  
\*Finest Lock Companies  
[www.labpins.com](http://www.labpins.com)

700 Emmett St.  
Bristol, CT 06010

**(800) 243-8242**  
FAX: (860) 583-7838

**JLM Wholesale, Inc.**  
3095 Mullins Ct.  
Oxford, MI 48371

**(800) 522-2940**  
FAX: (800) 782-1160

*Wholesale Hardware*

**RITTNER/FRENCH  
ASSOCIATES**  
150 S. Elizabeth  
Rochester, MI 48307

**(800) 732-4773**  
1-800-RFA-4-SPEC  
FAX: (248) 651-2650

**Gene Simon  
HARDWARE SPECIALIST**

Phone: (708) 799-8783  
FAX: (708) 799-4322

P.O. Box 51  
Flossmoor, IL 60422

**Representing:**  
Jet Hardware Mfg. Corp.  
LAB Security Products  
Major Manufacturing, Inc.

Ultra Security /  
**XPERINETIX**

*Manufacturer of Premium  
Interchangeable Core Systems, Innovative  
IC Service Tools  
and Ground-Breaking IC Products*

17560 Matinal Drive  
San Diego, CA 92127-1240  
Phone: (800) 698-7477  
[www.UltraSecurityUSA.com](http://www.UltraSecurityUSA.com)  
E-mail: [ultrasec@san.rr.com](mailto:ultrasec@san.rr.com)  
DISTRIBUTOR: ICLS \* Phone: (313) 884-9800

**ELECTED OFFICERS:**

President—**Maurice Horne, CML** (313) 550-5810 Treasurer—**Larry Walker, CRL** (313) 350-1641  
Vice President—**Michael Buda** (313) 730-1075 Secretary—**Elmer Carver** (313) 493-0117

**APPOINTED OFFICES:**

Education:—**Robert Noble, CML** (810) 385-9329 Ombudsman—**Elmer Carver** (313) 493-0117  
 Membership:—**Sal Dulcamaro, CML** (586) 791-5416 PR:—**John Hubel, CML** (586) 615-3969  
 Membership:—**Alvin Moebus** (313) 885-9365 Librarian:—**Larry Williams, RL** (248) 651-6160  
 Sargent-At-Arms—**John Bradford** (734) 729-5372  
 Newsletter:—**Sal Dulcamaro, CML** (586) 791-5416  
 Newsletter:—**William M. Lynk, CRL** (313) 884-9800  
 Newsletter:—**Alvin Moebus** (313) 885-9365  
 Webmaster—**William M. Lynk, CRL** (313) 884-9800



**LSA  
OFFICERS**



9950 Freeland Avenue  
Detroit, MI 48227  
Phone: (313) 931-7720  
FAX: (313) 931-7758  
*Michael Wiener*

Fine Quality Key Machines,  
Key Blanks, Locks, Hardware